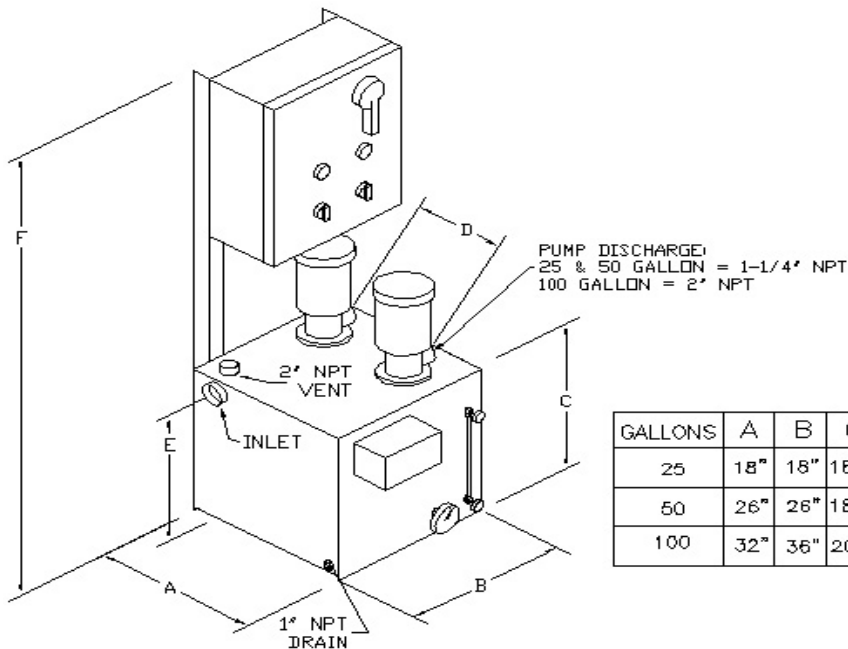


THE ADVANTAGE SERIES

CONDENSATE RETURN SYSTEMS WITH THE STAINLESS STEEL ADVANTAGE

E.D.R.	GPM	PSI	RECEIVER GALLONS	HP	SIMPLEX MODEL	DUPLEX MODEL
2,000	9	20	25	1/3	S25C-0920-03	D25C-0920-03
8,000	12	15		1/3	S25C-1215-03	D25C-1215-03
		25		1/2	S25C-1225-05	D25C-1225-05
		40		3/4	S25C-1240-07	D25C-1240-07
		55		1	S25C-1255-10	D25C-1255-10
12,000	18	15	1/2	S25C-1815-05	D25C-1815-05	
		30	3/4	S25C-1830-07	D25C-1830-07	
		45	1 1/2	S25C-1845-15	D25C-1845-15	
		60	1 1/2	S25C-1860-15	D25C-1860-15	
8,000	12	15	50	1/3	S50C-1215-03	D50C-1215-03
		25		1/2	S50C-1225-05	D50C-1225-05
		40		3/4	S50C-1240-07	D50C-1140-07
		55		1	S50C-1255-10	D50C-1255-10
12,000	18	15		1/2	S50C-1815-05	D50C-1815-05
		30		3/4	S50C-1830-07	D50C-1830-07
		45		1 1/2	S50C-1845-15	D50C-1845-15
		60		1 1/2	S50C-1860-15	D50C-1860-15
26,000	40	15		3/4	S50C-4015-07	D50C-4015-07
		20		1 1/2	S50C-4020-15	D50C-4020-15
		40	2	S50C-4040-20	D50C-4040-20	
		50	3	S50C-4050-30	D50C-4050-30	
35,000	50	15	100	3/4	S100C-5015-07	D100C-5015-07
		30		1 1/2	S100C-5030-15	D100C-5030-15
		50		3	S100C-5050-30	D100C-5050-30
		65		3	S100C-5065-30	D100C-5065-30
50,000	75	20		2	S100C-7520-20	D100C-7520-20
		45		5	S100C-7545-50	D100C-7545-50
		70		7 1/2	S100C-7570-75	D100C-7570-75
60,000	90	20		2	S100C-9020-20	D100C-9020-20
		40		5	S100C-9040-50	D100C-9040-50
		60		7 1/2	S100C-9060-75	D100C-9060-75
		85		7 1/2	S100C-9085-75	D100C-9085-75

NOTE: PUMP DISCHARGE PRESSURE MUST EXCEED ALL SYSTEM LOSSES



GALLONS	A	B	C	D	E	F	INLET
25	18"	18"	18.5"	10"	16"	60"	2" NPT
50	26"	26"	18.5"	14"	16"	60"	2" NPT
100	32"	36"	20"	14"	16"	60"	4" NPT

